

READ AND SAVE THESE INSTRUCTIONS

Installation

BPT12-12D/BPT12-13D

Please read through the end before attempting to install for your safety and safety of others to eliminate the risk of personal injury and also damage to property.

This unit is designed with built-in thermal cutoff for long life of motor and safety.

WARNING – To reduce the risk of fire, electric shock or injury to persons, observe the following:

Rules & Points To Remember

while installing the unit for safety & long life of unit also to obtain a better result from unit.

- 1.) Installation of this unit has to be done by licensed electrician, it has to be grounded, before servicing or cleaning unit switch power "off" at service panel and lock the service, disconnecting means to prevent power from being switched-on accidentally. When service, disconnecting means cannot be locked securely fasten a prominent warning device such as a tag to the service panel. Installation has to be done in accordance with applicable codes and standards, including fire rated construction.
- 2.) Using this unit in any bathroom or damp area, it should be on ground fault circuit interrupter.
- 3.) The switch should not be accessible from inside shower or tub.
- 4.) Make sure the voltage is 120V 60Hz and do not connect any electronic solid state on the same circuit as this unit.
- 5.) This unit has to be ducted to outside of building and avoid any sharp corner, area reduction or unnecessary angles on ducking. Do not vent exhaust air into spaces within walls or ceiling or into attic, crawl spaces or garages.
- 6.) These units are for general use only, not to be used in kitchen or cooking area or where chemicals and explosives are used.
CAUTION: For general ventilating use only. Do not use to exhaust hazardous or explosive materials or vapors.
- 7.) Avoid installing this unit where temperature is over 104°F (40°C).
- 8.) When cutting or drilling into a wall or ceiling, do not damage electrical wiring and other hidden utilities.
- 9.) Use this unit only in the manner intended by the manufacturer. If you have questions, contact the manufacturer.
- 10.) For UL: the fan is intended to be mounted at least 2.1m(7.6feet) above the floor

Maintenance

Cleaning of the Ventilation Fan

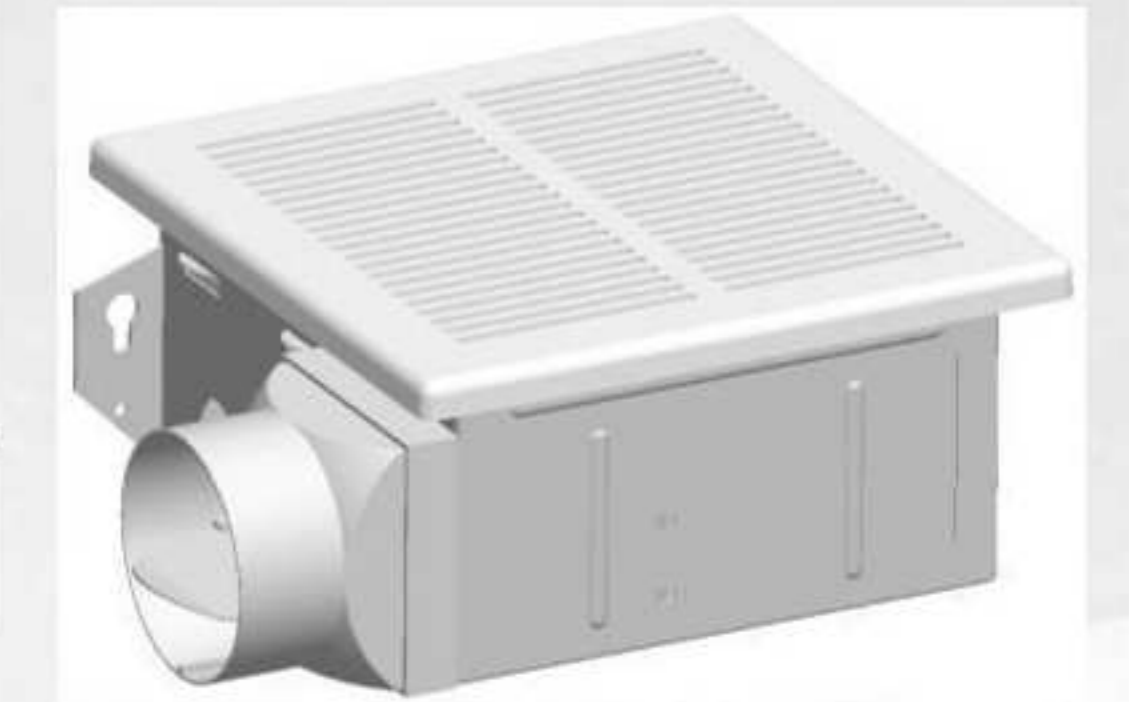
Unit cleaning periodically is very advisable since dust, molds, grease and other dirt particles can affect the conductivity of the air in the unit. The procedure should be done as follows:

1. Remove the plastic cover/grille.
2. Wash the cover with lukewarm water and use a mild detergent soap (like liquid soap). Avoid harsh detergent or boiling water.
3. Dry the cover with a cloth or kitchen towel.
4. Clean inside the unit with vacuum cleaner (motor shouldn't be in contact with any water or harsh chemicals & liquids).
5. Dry the body with paper towel.
6. Put the cover back in place.

BPT12-12D/BPT12-13D

Economy Ventilation Fan

- ◇ BPT12-12D 50 CFM at 2.0 sones
- ◇ BPT12-13D 70 CFM at 4.0 sones



Product Info

[Design Features](#)
[Dimension & Specifications](#)
[Installation](#)
[Maintenance](#)

Design Features

BPT12-12D/BPT12-13D

The *Economy Zone Series* are ideal for set budget and remodeling projects. The compact housing allows installation in between ceiling joists.

Housing

The galvanized sheet metal housing is rust proof and durable. The ear mounting on the housing makes the installation very simple.

Motor

The motor is open style, frame and permanently lubricated.

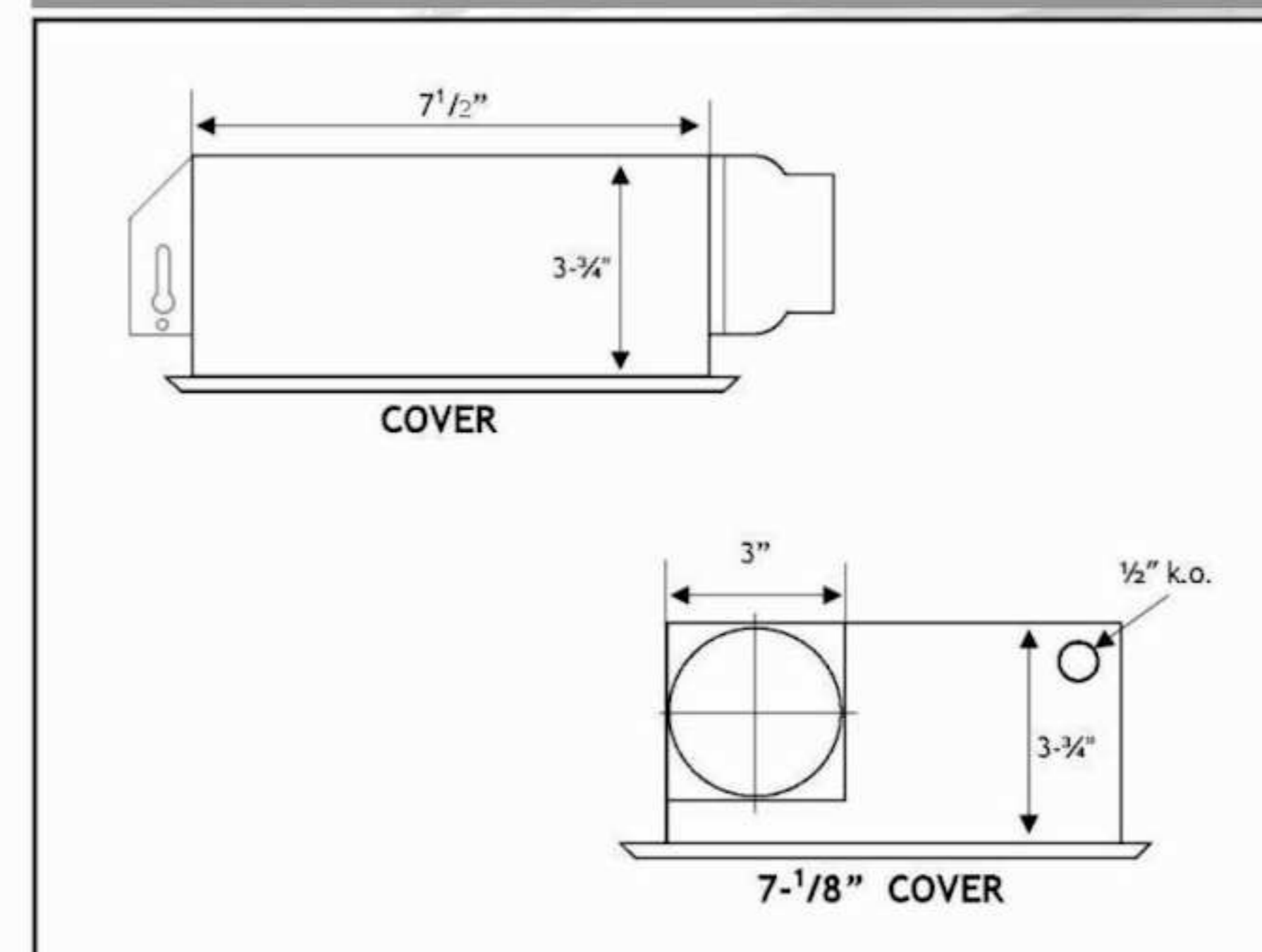
Cover

The cover is made of hi-impact poly carbonate in off-white color and it can be attached or removed with ease and no tools.

Advantages – Benefits

- Most economical fan.
- Attractive design.
- Easy to install & remove.
- Permanently lubricated motor.
- No mounting bracket needed to install.
- Dishwasher safe grille for easy cleaning.
- Galvanized housing for humid conditions and various attic temperature.
- Built-in junction box for easy wiring.
- 3" Duct adaptor with built in damper.
- Can be connected by insulation, both models are available in single project packs.
- Can be used over shower and bathtubs when connected to a GFCI protected branch circuit.
- For Room size:
 Bath: 65 sq. ft. ~ 85 sq. ft.
 Others: 70 sq. ft. /85 sq. ft.

Dimension



Specifications

Model No.	BPT12-12D/BPT12-13D
Air Volume (CFM)	50 CFM/70 CFM
Current (Amp)	0.38 amps
Power Consumption (Watt)	45 watts/49 watts
Voltage (Volt)	120 V
Sound Level (Sone)	2.0 sones/4.0 sones
Duct Diameter (Inch)	3"
Air Flow efficiency (CFM/Watt)	50/45 = 1.1
Mount Opening (Inch)	7 1/2" x 7 1/2"
Grille Size	8 3/4" x 8 3/4"
Installation Size (LxWxH)	9 1/16" x 7 3/4" x 9 1/16"